

Hermetic Sliding Door (MF5)

Door	Hermetic
Type	Single, Bi Parting
Swing	Sliding
Core	Injected PU core
Finish	1mm plastic laminate facings, anodised aluminium surrounds
Frame type;	
Corner profile (aluminium)	<input type="checkbox"/>
Malmo (aluminium)	<input type="checkbox"/>
Halmstad (stainless steel)	<input type="checkbox"/>
Track	Patented aluminium track system with nylon bearings
Canopy;	
Aluminium	<input type="checkbox"/>
304 Stainless steel	<input type="checkbox"/>
Fire rating	NA
Seals	All round rubber gasket for hermetic sealing
Manual operation	Standard
Automated operation	<input type="checkbox"/>
Vision panels;	
300x600	<input type="checkbox"/>
400x400	<input type="checkbox"/>
600x600	<input type="checkbox"/>
Lead lined	<input type="checkbox"/>
Hardware controls (manual);	Hermetic opener
Hardware controls (automated);	
D handle	<input type="checkbox"/>
Flush grip	<input type="checkbox"/>
Elbow switch	<input type="checkbox"/>
Foot switch	<input type="checkbox"/>
Contactless sensor	<input type="checkbox"/>
Radar	<input type="checkbox"/>
Accessories;	
Photocell	<input type="checkbox"/>
Presence sensor	<input type="checkbox"/>
Battery back up	<input type="checkbox"/>
Chemical resistant	Yes
Acoustic Rating	28dB standard reduction, possible 37dB

○ = Option available

Dortek Limited, UK
St Mark Street
Hull, HU8 7ED
England
Tel: +44 (0) 1482 226848
Fax: +44 (0) 1482 226843
Email: info@dortek.com

Dortek Limited, Ireland
North Quay, Wicklow Town
County Wicklow, A67 HE26
Ireland
Tel: +353 (0) 404 67101
Fax: +353 (0) 404 67012
Email: ireland@dortek.com

Dortek, New Zealand
2C, 40 Charlotte Street
Eden Terrace
Auckland 1022
New Zealand
Tel: +64 220722091
Email: info@dortek.com

Dortek, Singapore
Dortek Hygienic Door
Systems Pte Ltd 627A
Aljunied Road
BizTech Centre 04-06
Singapore
389842 Tel: +65 67411787
Email: info@dortek.com

Dortek, Malaysia
Dortek Sdn Bhd
No 5 Jalan Desa Tropika 1/3
Taman Perindustrian Tropika
81800 Ulu Tiram
Johor
Malaysia
Tel: +60 7861 6233
Email: info@dortek.com

Dortek Inc
One Boston Place
Suite 2600
Boston
MA 02108
Tel: +1 617 401 8226
Email: us-sales@dortek.com

FEATURES:

- 60mm overall thickness
- Easy to clean, will not harbour bacteria
- Free from voids, ledges and troublesome lippings
- Chemical resistant
- Will not warp, rot, swell or rust
- Low maintenance
- Reduces air disturbance
- Air leakage independently tested
- Reduces cross contamination
- No floor track required

APPLICATIONS:

- Pharmaceutical
- Cleanroom
- Research
- Manufacturing
- Biocontainment

STANDARD DOOR BLADE SIZES:

Standard Widths: Standard Heights:

1000-1100mm	2100mm
1200-1600mm	2400mm
1700-2000mm	

~Special sizes available upon request

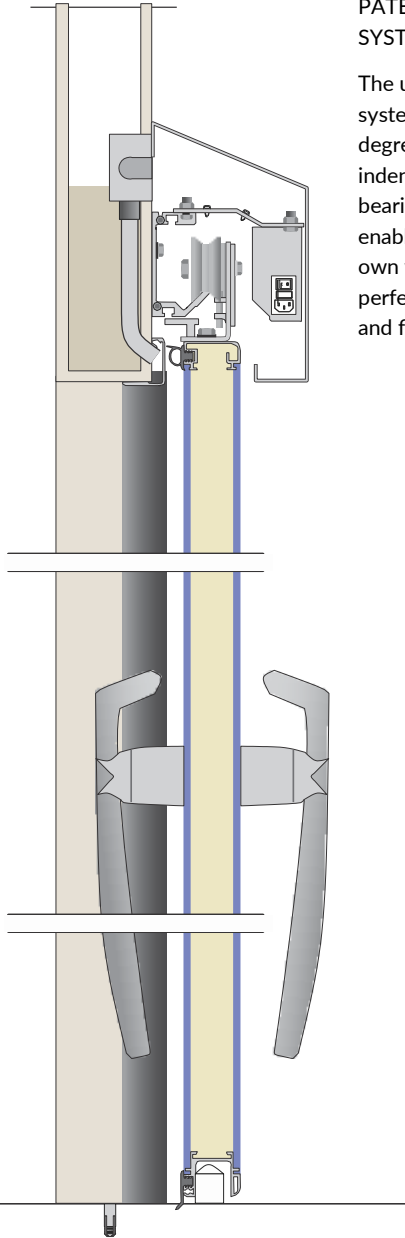
STANDARD COLOURS:

F2255 Polar White
F2296 Sno White
F7927 Folkestone
F1998 Oslo
F7880 Thistle
F5127 Monaco
F2828 Tropical Blue
F7851 Spectrum Blue
F2833 Sandstone
F2731 Sand Maple
F2887 Savoy Beech
F2510 Golden Morning Oak

~Other finishes within the Formica range may be available upon request

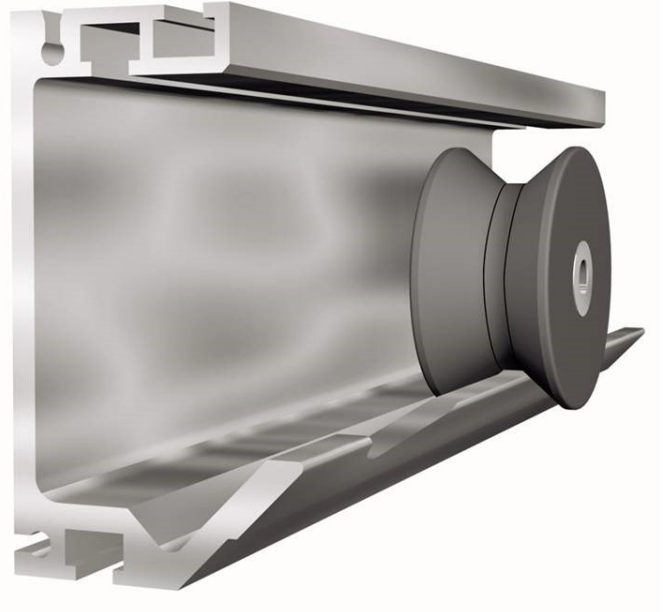


Hermetic Sliding Door - Track System



PATENTED TRACK SYSTEM

The unique patented track system is angled at 45 degrees and special indentations allow the bearings to roll down enabling the door using its own weight to seal perfectly against the frame and floor.



FLOOR SEALING SYSTEM

A tough neoprene gasket seals perfectly against a level floor without the need for a raised threshold. Guiding and sealing cams are fitted outside the clear opening eliminating the requirements for a floor track, allowing unrestricted access for wheeled traffic.

AUTOMATION FEATURES:

- Safe reliable operation
- In built safety sensor eliminates the need for safety strip edge
- Adjustable opening/closing speeds
- Self diagnostic automation reduces down time
- Hands free operating switches
- Doors can be interlocked to suit clients requirements

