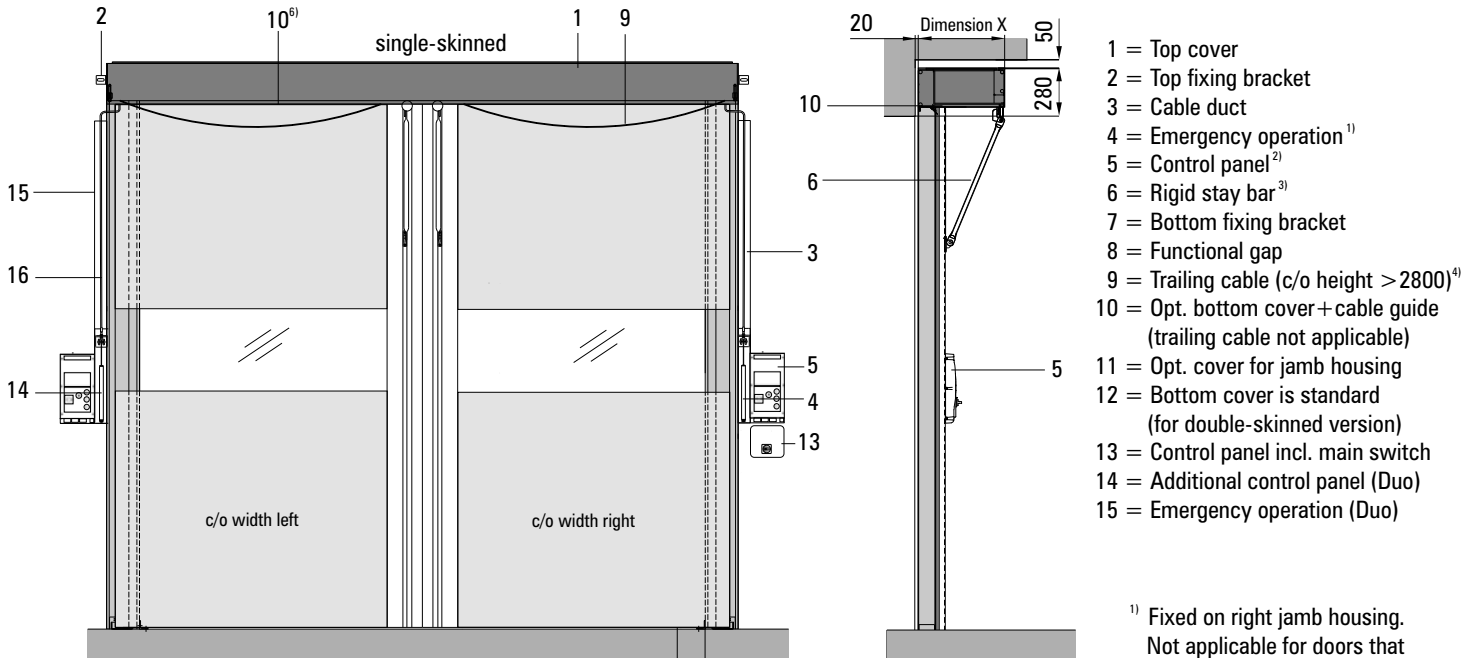


Technical Data High-Speed Door NOVOSPRINT[®] Duo



- 1 = Top cover
- 2 = Top fixing bracket
- 3 = Cable duct
- 4 = Emergency operation ¹⁾
- 5 = Control panel ²⁾
- 6 = Rigid stay bar ³⁾
- 7 = Bottom fixing bracket
- 8 = Functional gap
- 9 = Trailing cable (c/o height > 2800) ⁴⁾
- 10 = Opt. bottom cover + cable guide (trailing cable not applicable)
- 11 = Opt. cover for jamb housing
- 12 = Bottom cover is standard (for double-skinned version)
- 13 = Control panel incl. main switch
- 14 = Additional control panel (Duo)
- 15 = Emergency operation (Duo)

¹⁾ Fixed on right jamb housing. Not applicable for doors that open automatically in case of power failure

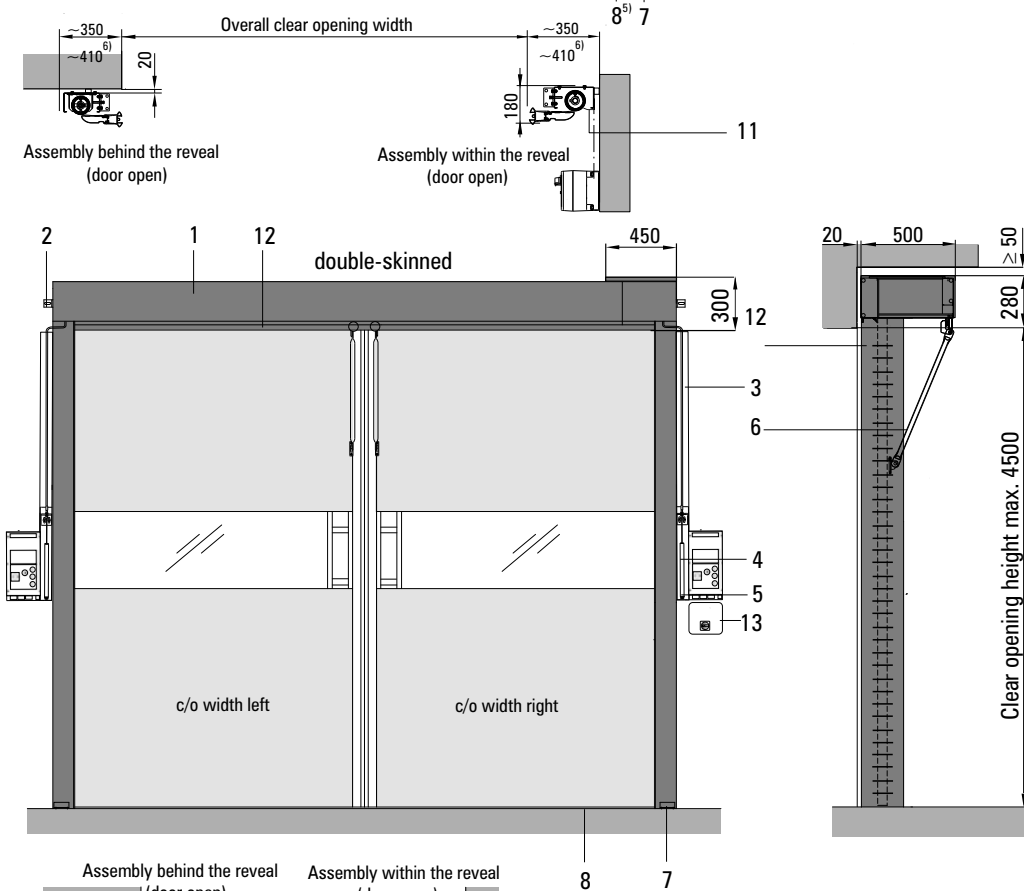
²⁾ Location: right side (standard), left side upon request, or fixed to the wall (w194 x h370 x d155)

³⁾ not applicable for c/o height ≤ 2800; option: stay bar with unlatch mechanism.

⁴⁾ c/o height ≤ 2800: cover + chain guide is standard, optional for c/o height > 2800.

⁵⁾ Ground closure: no functional gap

⁶⁾ Ground closure: increased lateral space requirements



Clear opening height max. 4500

Dimension X	Type of door
400 (c/o height < 3300 + c/o width < 3500)	BG I-1
500 (c/o height ≥ 3300 or c/o width ≥ 3500)	BG II-1 BG II-2

Note! For outdoor installation typically BG II is used

Technical Data · High-Speed Door NOVOSPRINT® Duo

		Single skin	Double skin
Opening speed [m/s]*	Up to (Standard) / (Option)	1.75 / 2.5	1.75
Closing speed [m/s]*	Up to (Standard) / (Option)	0.75	
Opening cycles / duration in use*	Cycles in permanent use	60 cycles / hour (= 1 / minute)	
	Augmented cycles, duration max. 1 hour	120 cycles / hour (= 2 / minute)	
	Augmented cycles, duration max. 15 minutes	6 cycles / minute	
Opening cycles*	In standard applications cycles per year	350 000	
Warranty on springs*	Under warranty conditions cycles, max. 2 years	500 000	
Door dimensions [mm]* (Clear opening width - c/o width)	(On inquiry) / Standard: width min. / max. / (max. on inquiry)	(-) / 1800 / 4500 / (5300)	
	PVC-free / antistatic or food safe coating: width min. / max.	1800 / 4300	
Door dimensions [mm]* (Single leaf width - c/o width right/ left)	(On inquiry) / Standard: width min. / max. / (max. on inquiry)	(-) / 900 / 2500 / (2650)	
	PVC-free / antistatic or food safe coating: width min. / max.	900 / 2150	
Door dimensions [mm]* (Clear opening height - c/o height)	Standard: height min. / max.	1700 / 4500	
Required space, top (lintel) [mm]*		330	
Required space, lateral (drive side) [mm]*	Minimum, with control fixed on the wall	350	
Required space, total depth [mm]*	Without additional equipment	420	
Operating forces / Safe openings	Acc. to EN 13241-1**	fulfilled	
Horizontal head section for the integration of the drive technology	Steel sheet, powder coated acc. to RAL 9005	■	
	Steel sheet, powder coated acc. to RAL (special colours)	□	
Vertical jamb housing for the integration of the skin winding technology	Sendzimir galvanized	■	
	Steel sheet, powder coated acc. to RAL 9005	□	
	Steel sheet, powder coated acc. to RAL (special colours)	□	
Vertical pusher profile for the integration of the safety edge control technology	Sendzimir galvanized	■	-
	Steel sheet, powder coated acc. to RAL 9005	□	■
	Steel sheet, powder coated acc. to RAL (special colours)	□	□
Drive	Gear motor with double brake (WITH emergency release lever – closed when de-energised)	■(2x)	
	Gear motor with double brake (WITHOUT emergency release lever – open when de-energised)	□(2x)	
	Electric motor with frequency converter control - driving power [KW]	0.75 kW (2x)	
Door skin*	Polyester fabric, PVC-laminated on both sides, similar to RAL 1003 Vision element (transparent panel), thermoplastic Elastomer (TPE-Film)	■	
	Polyester fabric, PVC-laminated on both sides, in special colour Vision element (transparent panel), thermoplastic Elastomer (TPE-Film)	□	
	PVC-free skin (only similar to RAL 1003)	□	
	Food safe TPU coating, similar to FDA (only similar to RAL 1003)	□	
	Antistatic equipment (only similar to RAL 1003)	□	
	Low flammability (Building material class acc. to DIN 4102 - B1)	□	
	Standard position of vision panel in height from - to (Special execution on inquiry)	1480 - 2000	
Emergency operation	Actuated by Bowden cable lever - self-opening Note: if required the door can be pushed by hand to open completely)	■(2x)	
	Automatic opening when de-energised Note: if required the door can be pushed by hand to open completely)	□(2x)	
	Aptitude for installation in escape routes, acc. to DGUV 208/044 (German statutory accident insurance) (Note: Only for Germany: local legislation has to be respected)	-	(in preparation)
	With uninterruptable power source	on inquiry	
Control	BDC E800 F - frequency converter control for smooth start-up and increased opening speed, mains connection 400V / 50Hz (3,N,PE), fuse protection 16A , type C, earth leakage only Type B	■	
Safety	Closing edge monitored by an optoelectronic sensor, integrated in the door leaves, with power supply via energy chain or trailing cable	■	
	External photo eye	□	
	External light curtain	□	
	Anti-crash-protection (unlock mechanism in the stay bars, available for c/o height above 2 800 mm)	□	
	Laser sensor	□	
Equipment options	Pulse transmitter: mushroom button / Non-contact radar switch / Pull switch / Radio control	□	
	Pulse transmitter: Reflection light scanner / radar motion sensor / Induction loop	□	
	Airlock control	□	
	Combination with SPACELITE or SECTIOLITE doors	□	